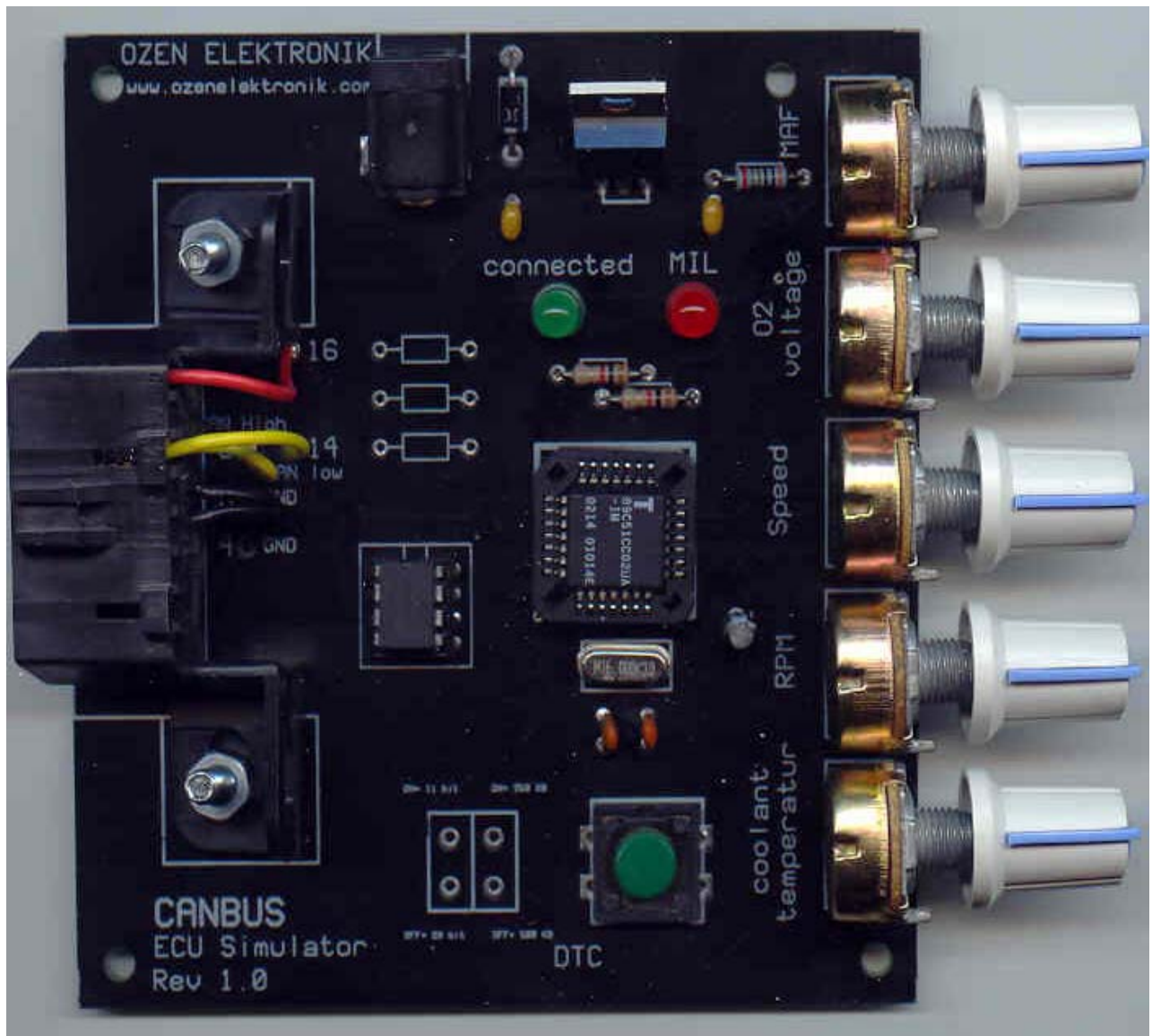


ECU Simulator 1600

ISO15765-4 CAN BUS



- connect an appropriated power supply for your tester
- set power on and wait till led test is over.
- Connect the OBD tester and wait till the green LED is ON (connected)
- To generate the DTC , press the push button and wait till MIL led is ON
- Select 11/29 bit ident and 250/500 KB baudrate using the switch (optional) . This switch position is read once after power on. For a new switch position please power off that power on.



Description

MODE 1 : in this mode OE91C1600 chip responds with PIDs 00-1F. On the table below you see the variable values.

PID	Description	Fixed Value	Variable Value
03	Fuel system status	00	-
05	Engine coolant temp.		-40 ... 215
0C	Engine RPM		0 ... 6000
0D	Vehicle speed sensor		0 ... 255
10	Air flow rate of MAF sensor		0...655.35
13	Location of O2 sensors	Bank 1 sensor 1	-
14	O2 volt		0 ... 1.275 V
1C	OBD Type	EOBD	-
1F	ECUSim Version	1.xx	

MODE 2: when the DTC input is low , P0100 cause a freeze frame storage as follow :

PID	Description	Stored Value
05	Engine coolant temp.	40
0C	Engine RPM	2345 1/min
0D	Vehicle speed sensor	67

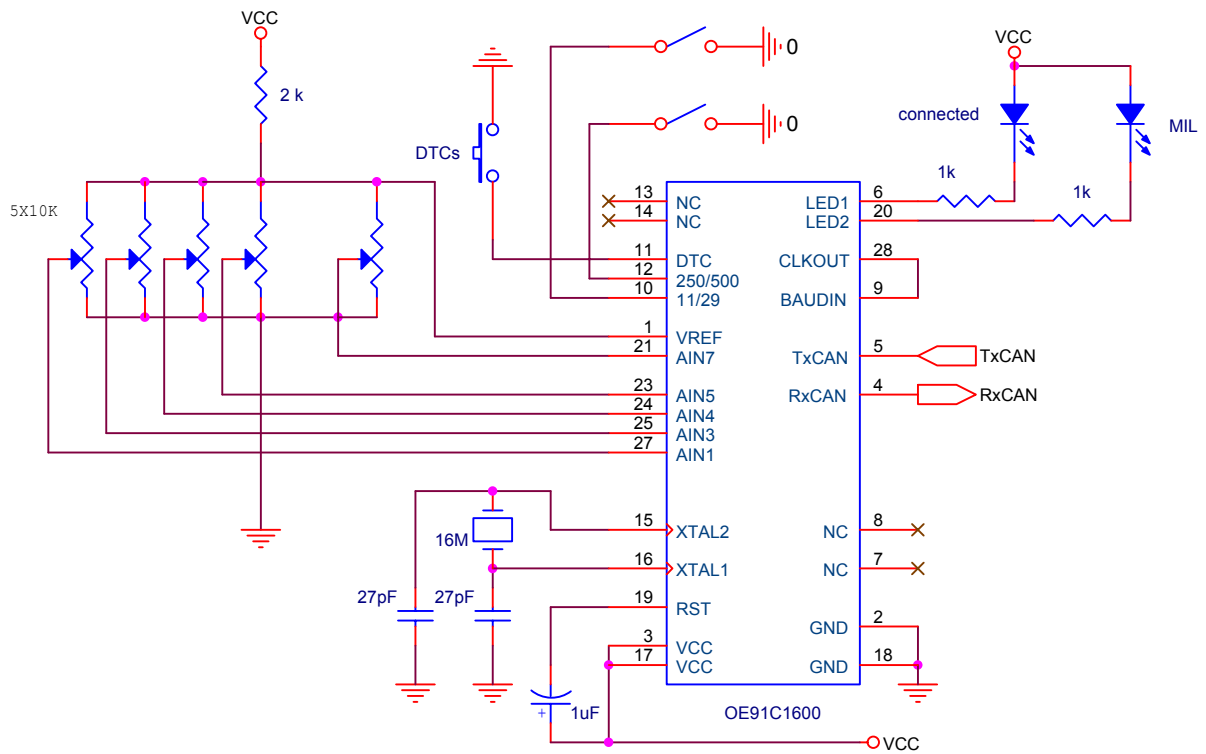
MODE 3 : when requesting this MODE the 3 DTCs come from simulator. P0100 , P0200 , P0300

MODE 4 : delete the DTC and freeze frame storage datas. MIL LED turns off.

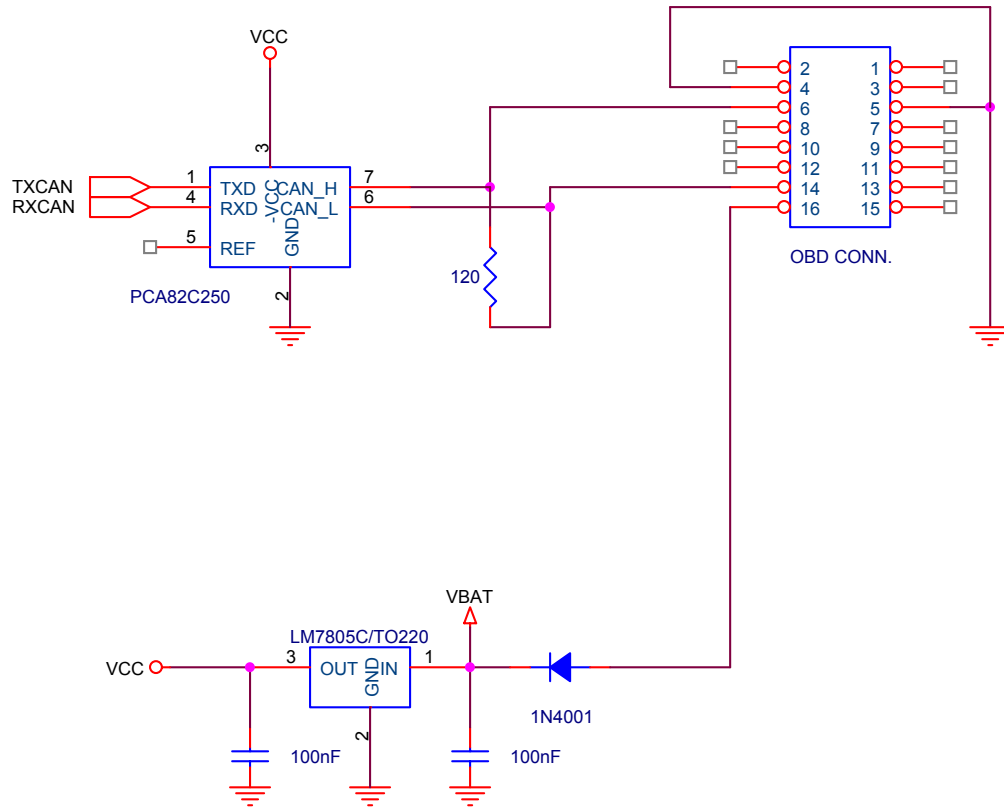
- all timeout according to ISO15031-5



Schematic



- the both LEDs are low current $I_f < 5 \text{ mA}$.
- close jumper to download a new release.
- Don't change the value of crystal.



- use a 12 VDC / 500 mA Adapter to power the simulator and the tester.
- A femal OBD connector must be used.